

# GEARS AND WINCHES

## W8-R HYDRAULIC WINCH

Here in Brisbane, we manufacture these compact, versatile and heavy-duty winches.

### Specifications:

**Capacity:** 40.0 kN (8,000LB)

**Weight:** 37kg (without rope)

**Standard Ratio:** 40:1

**Other Ratios Available:** 25:1 or 50:1

**Rec. Wire Rope:** 30m x Ø9mm

**Max. Wire Rope:** 69m x Ø9mm

**Brake Type:** Automatic locking worm gear

**Hydraulic Oil Requirements:** 60 Litre/min @ 160 bar

**Oil Tank Capacity:** 500mL

**Duty Cycle Per SAE J706 Section 6.2:** 42m Intermittent



*Above image is our W8-R (8,000LB Hydraulic Winch)*

### Applications:

- Tilt trays, slide backs, and recovery
- Mine sites, logging, tractors, and telecommunications
- Complies with EN14492-1 and suitable for use on Tow Trucks
- Hydraulic or Mechanical Drive
- Can be assembled right hand (R) or left hand (L)
- Lever operated Fail-Safe positive engagement free-spool, Manual or Air Clutch option
- 102mm drum diameter complying with J706 to extend rope life
- Drag brake to prevent wire rope ballooning when freewheeling
- Winch only option or complete bolt down packages available, including the mounting frame, roller fairlead, rope tensioner, various lengths of wire and synthetic rope available, connector and hook to suit
- Custom designs available to suit your requirements

Layer	Line Pull kN	Line Speed @ 60L/m Stroke m/min	Drum Capacity 214mm	Drum Capacity 291mm
1	40.0	8.4	7.5	10
2	35.4	9.5	16.5	22
3	29.1	11.2	26.5	36
4	26.0	12.5	38	51
5	-	-	50	70
6	-	-	60	85

**Original Thomas Winch Manufacturer Established 1968,  
Proudly Australian and Family Owned**



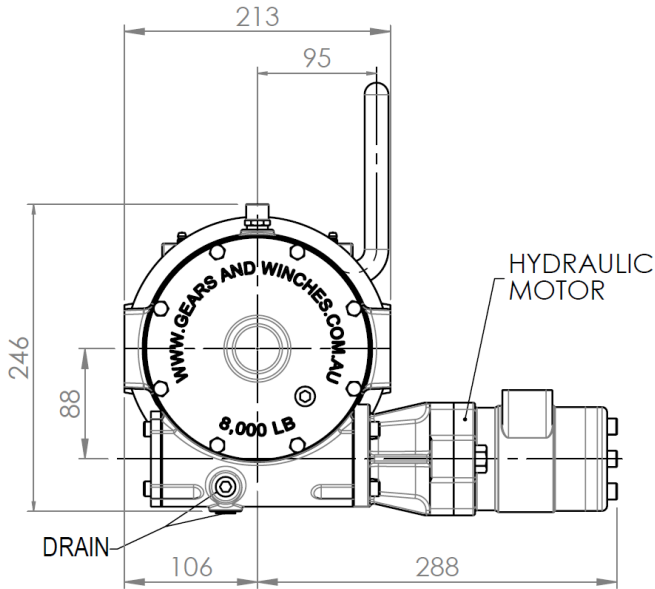
**Phone:** 07 3875 1568

**Email:** admin@winch.com.au **Website:** www.winch.com.au

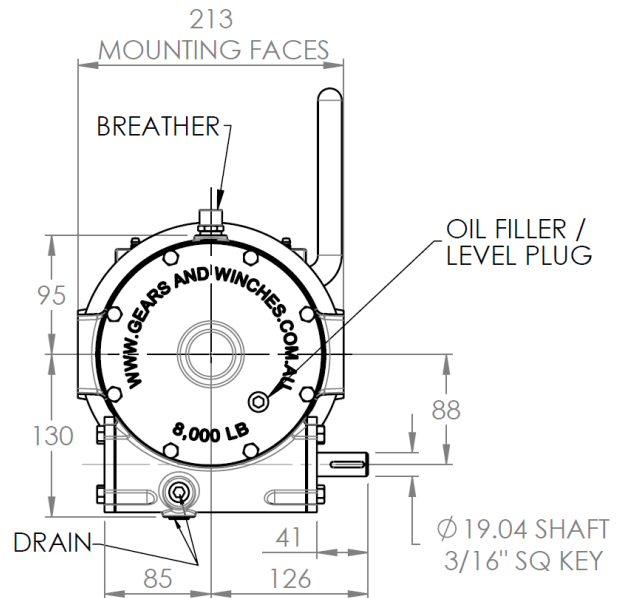
**Address:** 2 Coin Street Moorooka Qld 4105 **Postal:** PO Box 206 Acacia Ridge Qld 4110

## W8-R DIMENSIONS

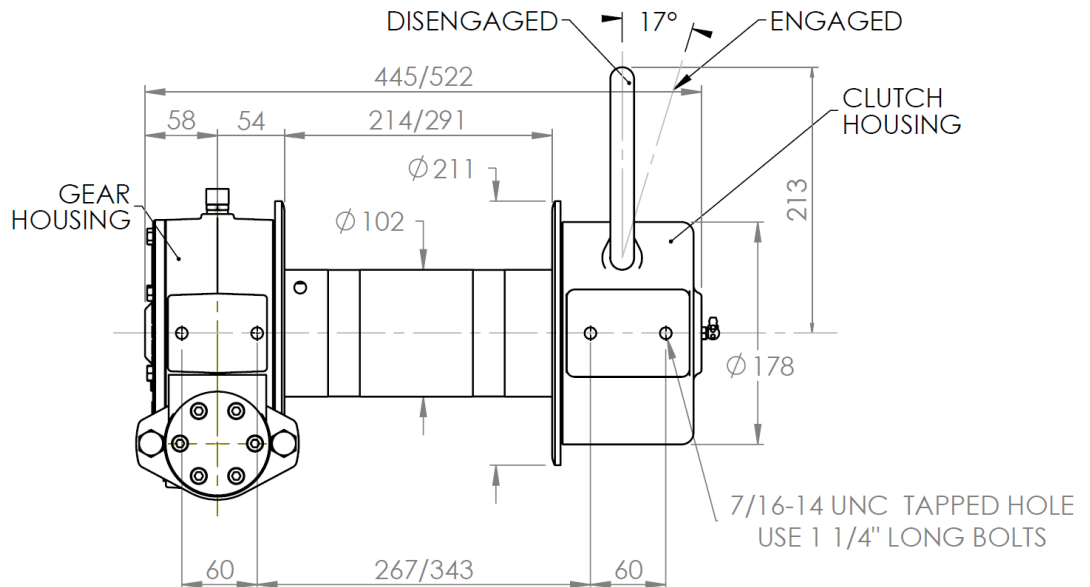
### Hydraulic



### Mechanical



Available Drum Lengths 214mm or 291mm



**Disclaimer: Product Dimensions are subject to change without prior notice, due to technological progress.**

**Phone:** 07 3875 1568

**Email:** admin@winch.com.au **Website:** www.winch.com.au

**Address:** 2 Coin Street Moorooka Qld 4105 **Postal:** PO Box 206 Acacia Ridge Qld 4110