

GEARS AND WINCHES

W30-R HYDRAULIC WINCH

Here in Brisbane, we manufacture these compact, versatile and heavy-duty winches.

Specifications:

Capacity: 135.0 kN (30,000LB)

Weight: 180kg (without rope)

Standard Ratio: 38:1

Rec. Wire Rope: 30m x Ø18mm

Max. Wire Rope: 85m x Ø18mm

Brake Type: Automatic locking worm gear

Hydraulic Oil Requirements: 90 Litre/min @ 190 bar

Oil Tank Capacity: 3.5L

Duty Cycle Per SAE J706 Section 6.2: 42m Intermittent



Above image is our W30-R (30,000LB Hydraulic Winch)

Applications:

- Tilt trays, slide backs, and recovery
- Mine sites, logging, tractors, and telecommunications
- Complies with EN14492-1 and suitable for use on Tow Trucks
- Hydraulic or Mechanical Drive
- Can be assembled right hand (R) or left hand (L)
- Lever operated Fail-Safe positive engagement free-spool, Manual or Air Clutch option
- 168mm drum diameter complying with J706 to extend rope life
- Drag brake to prevent wire rope ballooning when freewheeling
- Winch only option or complete bolt down packages available, including the mounting frame, roller fairlead, rope tensioner, various lengths of wire and synthetic rope available, connector and hook to suit
- Custom designs available to suit your requirements

Layer	Line Pull kN	Line Speed 250CC Motor @ 190 Bar MPM	Line Speed 316CC Motor @ 160 Bar MPM	Total Rope Length m
1	135.0	4.8	4.0	12.3
2	111.8	5.6	4.8	27.1
3	96.2	6.4	5.6	44.2
4	84.4	7.2	6.4	63.7
5	75.2	8.0	7.2	85.6

**Original Thomas Winch Manufacturer Established 1968,
Proudly Australian and Family Owned**



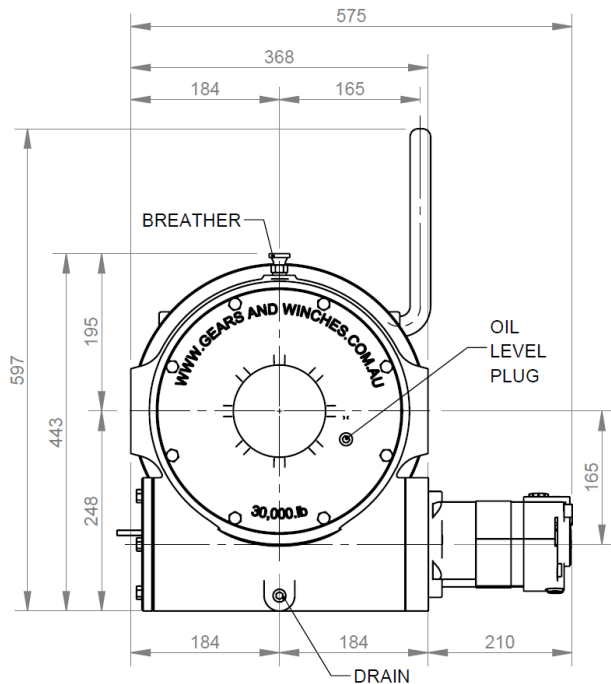
Phone: 07 3875 1568

Email: admin@winch.com.au **Website:** www.winch.com.au

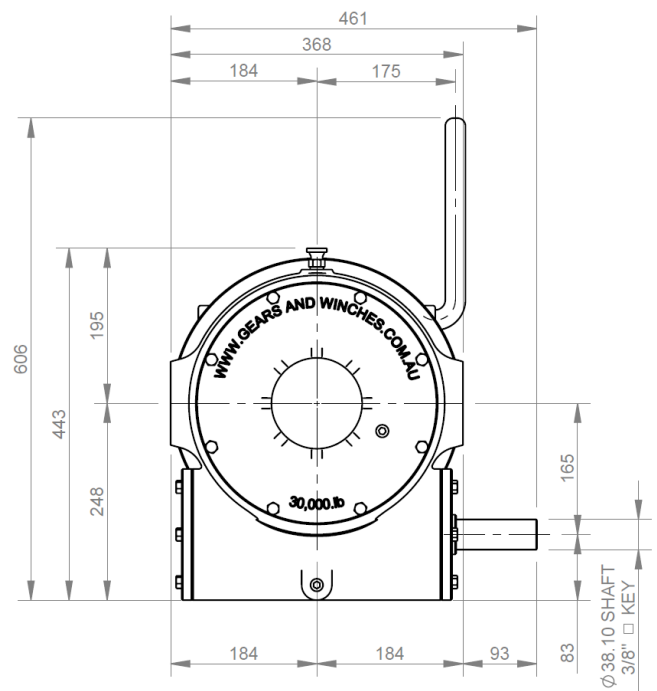
Address: 2 Coin Street Moorooka Qld 4105 **Postal:** PO Box 206 Acacia Ridge Qld 4110

W30-R DIMENSIONS

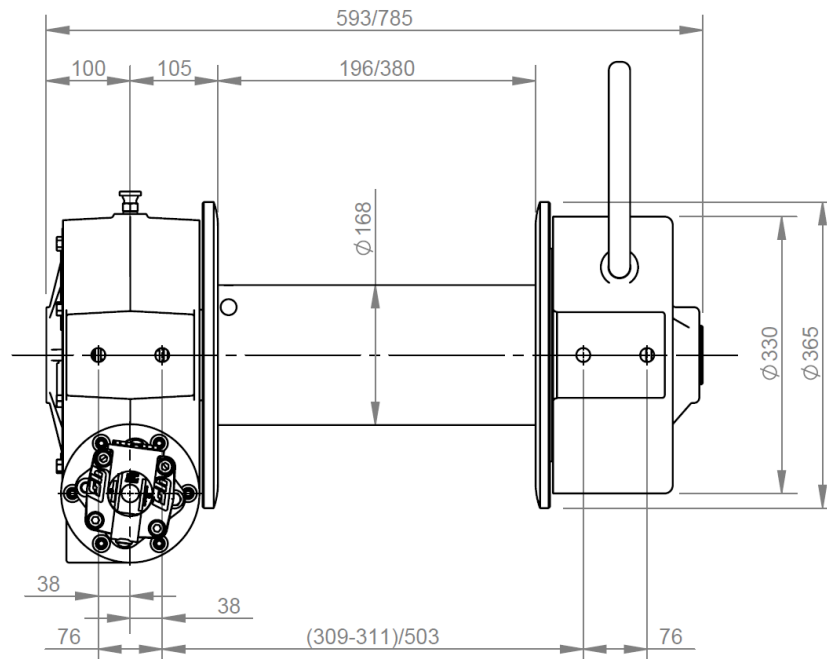
Hydraulic



Mechanical



Available Drum Lengths 196mm or 380mm



Disclaimer: Product Dimensions are subject to change without prior notice, due to technological progress.

Phone: 07 3875 1568

Email: admin@winch.com.au **Website:** www.winch.com.au

Address: 2 Coin Street Moorooka Qld 4105 **Postal:** PO Box 206 Acacia Ridge Qld 4110