

GEARS AND WINCHES

W16-R HYDRAULIC WINCH

Here in Brisbane, we manufacture these compact, versatile and heavy-duty winches.

Specifications:

Capacity: 72.0 kN (16,000LB)

Weight: 91kg (without rope)

Standard Ratio: 35:1

Rec. Wire Rope: 30m x Ø14mm

Max. Wire Rope: 57m x Ø14mm

Brake Type: Automatic locking worm gear

Hydraulic Oil Requirements: 75 Litre/min @ 141 bar

Oil Tank Capacity: 1.5L

Duty Cycle Per SAE J706 Section 6.2: 42m Intermittent



Above image is our W16-R (16,000LB Hydraulic Winch)

Applications:

- Tilt trays, slide backs, and recovery
- Mine sites, logging, tractors, and telecommunications
- Complies with EN14492-1 and suitable for use on Tow Trucks
- Hydraulic or Mechanical Drive
- Can be assembled right hand (R) or left hand (L)
- Lever operated Fail-Safe positive engagement free-spool, Manual or Air Clutch option
- 140mm drum diameter complying with J706 to extend rope life
- Drag brake to prevent wire rope ballooning when freewheeling
- Winch only option or complete bolt down packages available, including the mounting frame, roller fairlead, rope tensioner, various lengths of wire and synthetic rope available, connector and hook to suit
- Custom designs available to suit your requirements

| Layer | Line Pull kN | Line Speed @ 75L/m Stroke m/min | Line Speed @ 60L/m Stroke m/min | Total Rope Length m |
|-------|-----------------|---------------------------------------|---------------------------------------|------------------------|
| 1 | 71.2 | 5.8 | 4.8 | 9.3 |
| 2 | 60.2 | 6.9 | 5.6 | 20.4 |
| 3 | 52.2 | 8.0 | 6.5 | 33.1 |
| 4 | 46.1 | 9.2 | 7.4 | 47.5 |
| 5 | 41.2 | 10.3 | 8.3 | 63.6 |
| 6 | 37.3 | 11.4 | 9.2 | 81.4 |

**Original Thomas Winch Manufacturer Established 1968,
Proudly Australian and Family Owned**



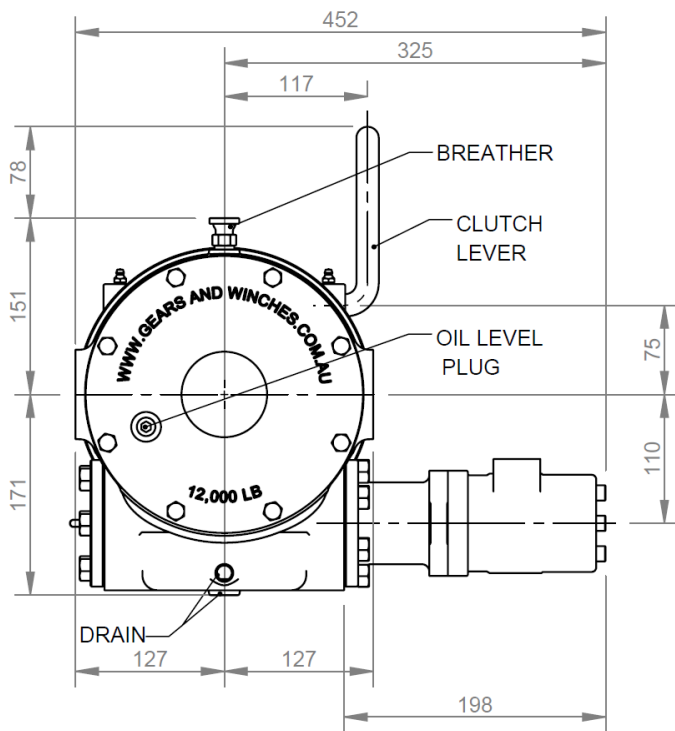
Phone: 07 3875 1568

Email: admin@winch.com.au **Website:** www.winch.com.au

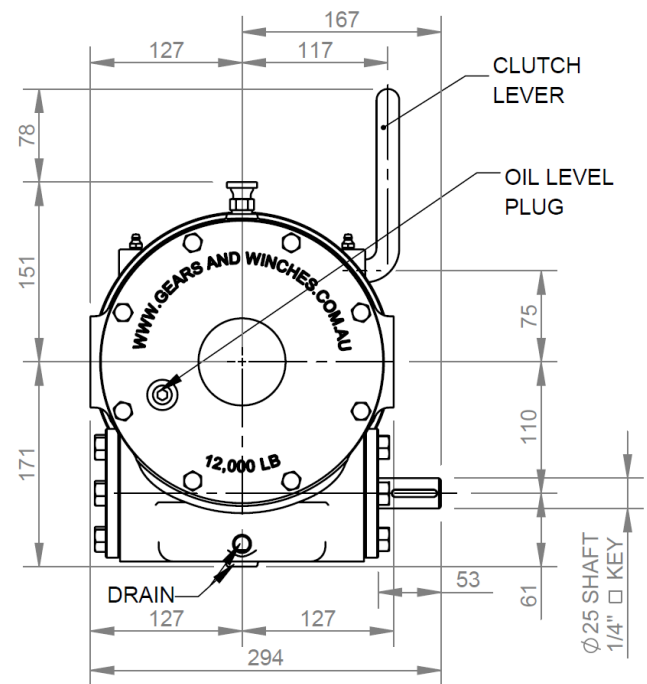
Address: 2 Coin Street Moorooka Qld 4105 **Postal:** PO Box 206 Acacia Ridge Qld 4110

W16-R DIMENSIONS

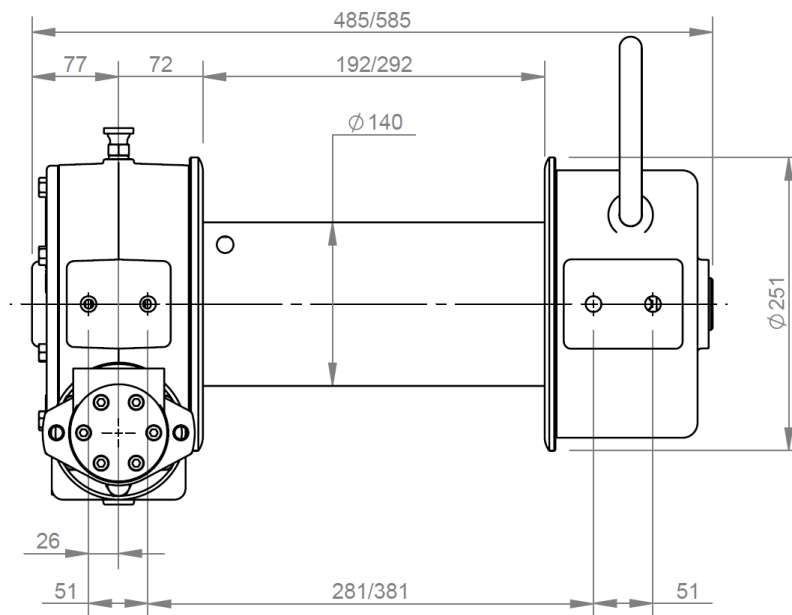
Hydraulic



Mechanical



Available Drum Lengths 192mm or 292mm



Disclaimer: Product Dimensions are subject to change without prior notice, due to technological progress.

Phone: 07 3875 1568

Email: admin@winch.com.au **Website:** www.winch.com.au

Address: 2 Coin Street Moorooka Qld 4105 **Postal:** PO Box 206 Acacia Ridge Qld 4110