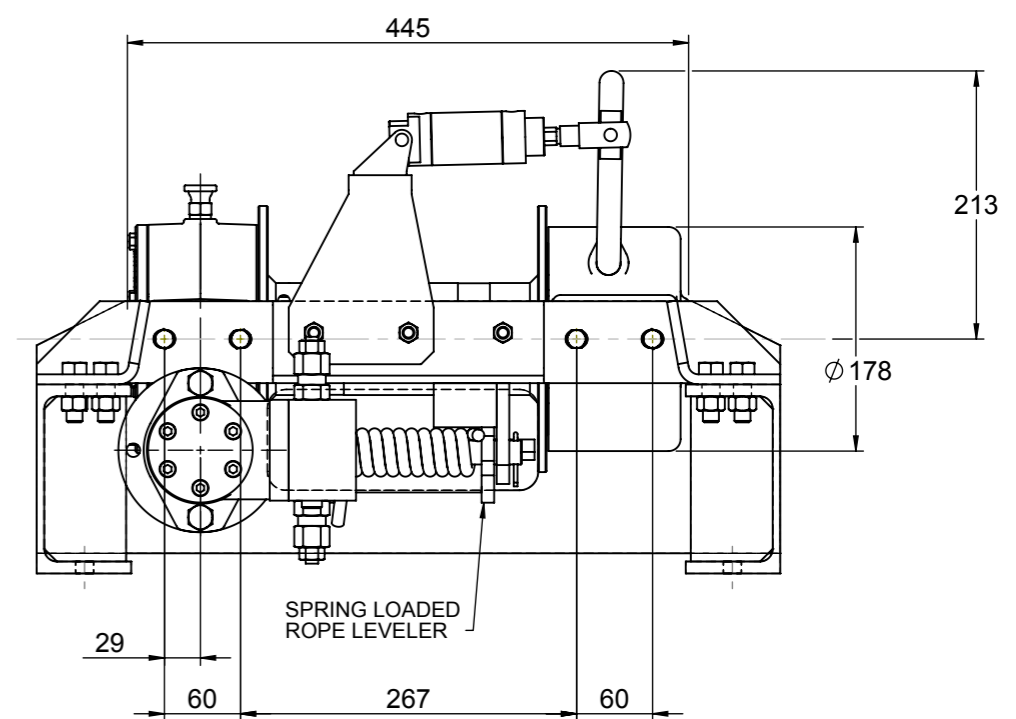
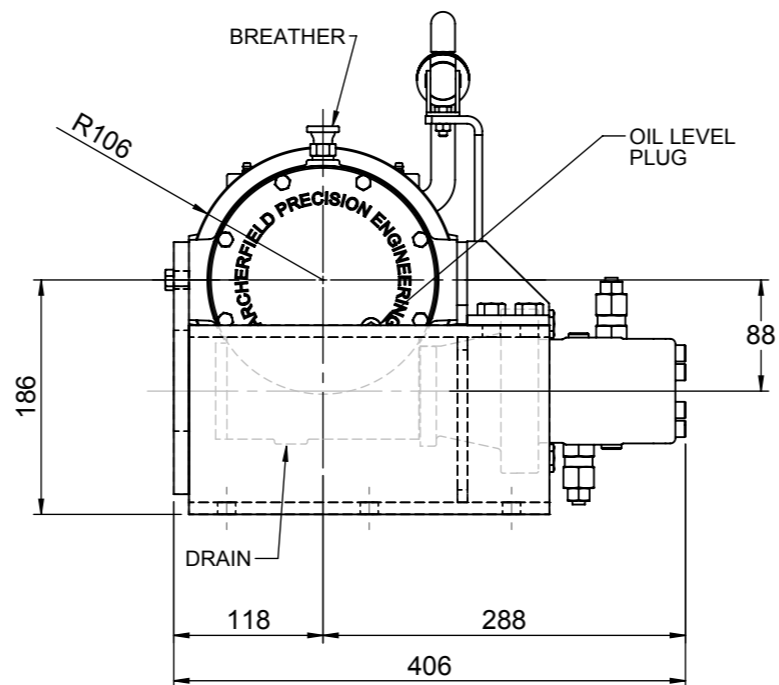
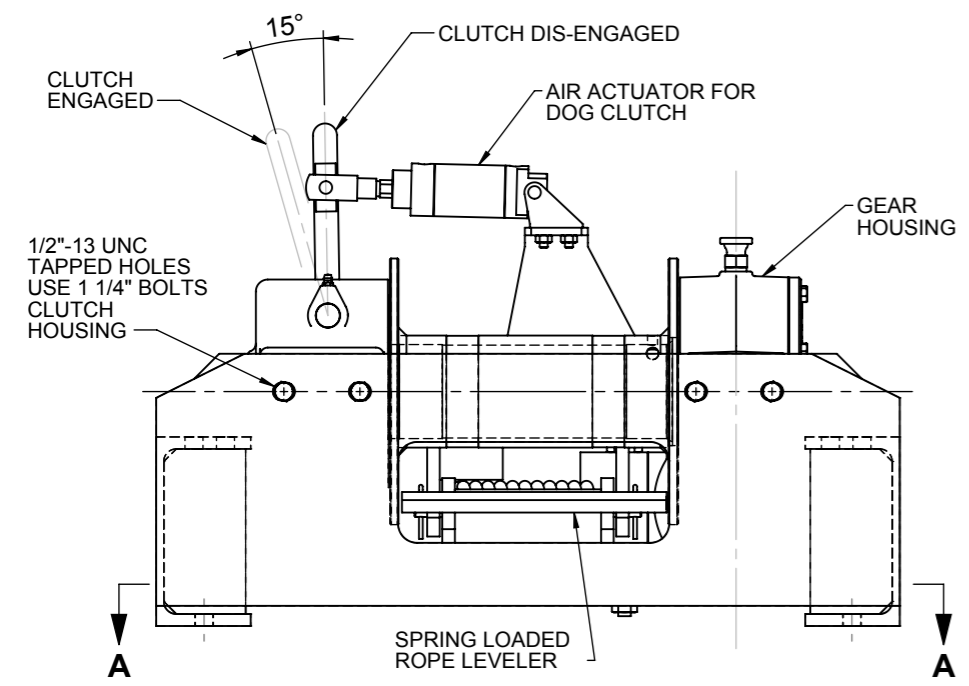


SECTION A-A  
HOLD DOWN DETAIL



**GEARS AND WINCHES**

2 COIN ST MOOROOKA QLD 4105  
PO BOX 206 ACACIA RIDGE QLD 4110  
Ph (07) 3875 1568  
Fx (07) 3277 4316  
Email admin@winch.com.au

COPYRIGHT RESERVED. The design detailed on this drawing is the property of Archerfield Precision Engineering and must be returned on demand. It is issued on the strict condition that excepted to any third party, nor is it to be used for any purpose other than for which it was issued.

DRAWN	RCT	02-10-12
CHECKED		
MATERIAL		
MATERIAL NOTES		
FINISH		
DATE PRINTED	WEIGHT	SCALE
2/10/2012	62.6 Kg	1:6

**W8-600 BASE MOUNT WINCH  
HYDRAULIC RIGHT HAND  
DN80 x 9" DRUM  
WITH OVERCENTRE VALVE**

**FOR MANUFACTURE**

SHEET No.	1 OF 1	DWG No	W8-0064-0
SCALE		- REV	

DWG No	REFERENCES	REV	DATE	DESCRIPTION	DRAWN	CHECK	APPD
1	2	3	4	5	6	7	8
		0	02/10/12	RELEASE ISSUE		RCT	