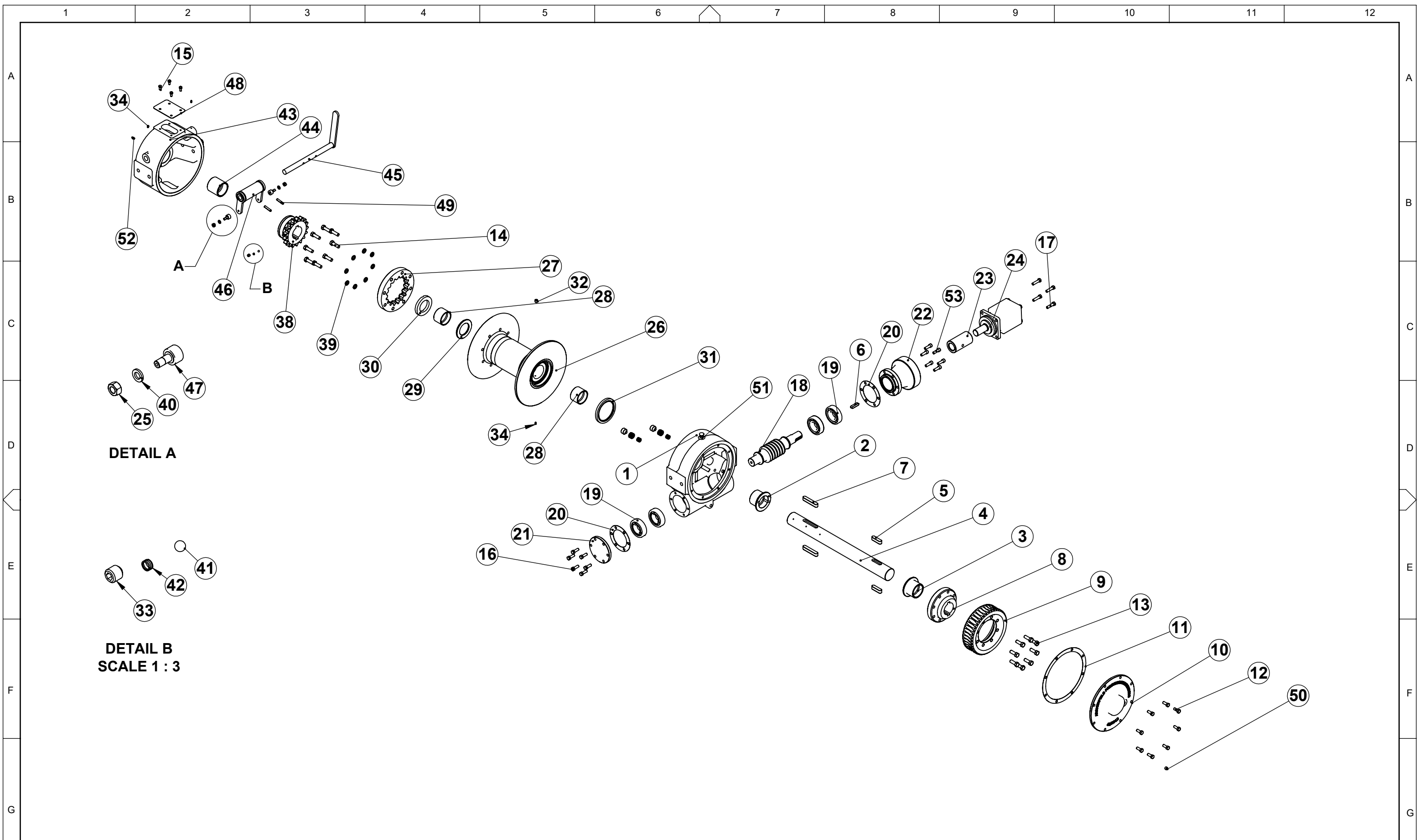


ITEM NO.	QTY.	DESCRIPTION	PART NUMBER	LENGTH
1	1	WORMBOX HOUSING	W45-0101	
2	1	BUSH - WORMBOX COVER	W45-0700	69.9
3	1	BUSH - WORMBOX HOUSING	W45-	63.5
4	1	WINCH SHAFT - STANDARD	W45-0520	805
5	2	KEY - IMPERIAL	3/4" SQ x 2 7/8"	
6	1	KEY - IMPERIAL	1/2" SQ x 2 1/4"	
7	2	KEY - IMPERIAL	3/4" SQ x 4 1/2"	
8	1	WORMWHEEL HUB	W45-0440	76.7
9	1	W45 WORMWHEEL	W45-0420	Ø295.3 x 85.7
10	1	WORMBOX COVER	W45-0151	
11	1	WORMBOX COVER GASKET	W45-0802	Ø354
12	8	HEX HEAD SET SCREW 1/2"-13 UNC x 1 1/4"		
13	8	HEX HEAD BOLT 5/8"-18 UNF x 1 3/4"	HHSS 0.3125-18x0.75	
14	8	HEX HEAD BOLT 5/8"-11 UNC x 2"	HHSS 0.3125-18x0.75	
15	4	HEX HEAD SET SCREW 3/8"-16 UNC x 3/4"	HHSS 0.3125-18x0.75	
16	6	HEX HEAD SET SCREW 5/16" 18 X 3/4"	HHSS 0.3125-18x1	
17	4	HEX HEAD BOLT 1/2"-13 UNC x 2"	HHSS 0.3125-18x0.75	
18	1	WORM - HYDRAULIC	W45-0402	
19	4	ANGULAR CONTACT BEARING 7310-B		
20	2	W30 WORM SHAFT CAP GASKET	W30-0800	Ø165
21	1	WORMSHAFT CAP - BLIND	W30-0200	32.544
22	1	HYDRAULIC MOTOR ADAPTOR	W45-0330	181.8
23	1	HYDRAULIC COUPLING	W45-0340	82.6
24	1	HYDRAULIC MOTOR	OMT 315	
25	2	HEX NUT 7/16-20 UNF		
26	1	W45 STD WINCH DRUM	W45-0500	
27	1	W45 DOG CLUTCH DRUM RING	W45-0610	Ø266.7 x 34.9
28	2	DRUM BUSH	W45-0701	57.2
29	1	DRUM THRUST WASHER	W45-0703	6.4
30	1	DRUM SPACER RING	W45-0590	15.9
31	1	OIL SEAL	CR47481	4.75x6x0.5
32	1	SOCKET SET SCREW 5/8"-11 UNC x 5/8"		
33	1	SOCKET SET SCREW 1/2"-13 UNC x 1/2"		
34	3	GREASE NIPPLE 1/4" UNC STRAIGHT		
35	2	W45 DRAG BRAKE PAD SPRING - INNER	W45-0642	0.725
36	2	W45 DRAG BRAKE PAD SPRING - OUTER	W45-0641	0.725
37	2	DRAG BRAKE PAD	W45-0640	27.9
38	1	W45 DOG CLUTCH	W45-0620	Ø188 x 88.9
39	8	SPRING WASHER 5/8"		
40	2	SPRING WASHER 7/16"		
41	1	3/8" BEARING BALL		
42	1	DOG CLUTCH DETENT SPRING	W45-0631	0.23
43	1	CLUTCH HOUSING	W45-0251	
44	1	BUSH - DOG CLUTCH HOUSING	W45-0702	82.6
45	1	W45 DOG CLUTCH HANDLE	W45-0271	
46	1	W45 DOG CLUTCH FORK	W45-0270	
47	2	CAM FOLLOWER - MCGILL, CF-1-SB		
48	1	CLUTCH HOUSING COVER PLATE	W45-0280	157.2 x 114.3
49	2	SPRING PIN 3/8" x 2"		
50	2	3/8" BSPT PLUG - HEX SOCKET		3/8" BSPT
51	1	BREATHER 3/8" BSPT		
52	1	GREASE NIPPLE 1/8" BSP		
53	6	SHCS 1/2"-13 UNC x 1 1/2"		

				GEARS AND WINCHES			DRAWN	IRH	PROJECT No			
				2 COIN ST MOOROOKA QLD 4105 PO BOX 206 ACACIA RIDGE QLD 4110 Ph (07) 3875 1568 Fx (07) 3277 4316 Email admin@winch.com.au			CHECKED		45,000 LB LOW MOUNT WINCH W45 LOW MOUNT HYDRAULIC WINCH SHEET 1 OF 2			
				COPYRIGHT RESERVED. The design detailed on this drawing is the property of Archerfield Precision Engineering and must be returned on demand. It is issued on the strict condition that excepted to any third party, nor is it to be used for any purpose other than for which it was issued.			DESIGNED					
							TECH APP					
				0	03/09/18	FOR CONSTRUCTION	IRH		SCALE	WEIGHT	DWG No	- REV
DWG No	REFERENCES	REV	DATE	DESCRIPTION	DRAWN	CHECK	APPD	PRINTED	3/09/2018	1:5	367.2 Kg	W45-0003-0



DETAIL A

DETAIL B
SCALE 1 : 3

				GEARS AND WINCHES				DRAWN	IRH	PROJECT No			
				2 COIN ST MOOROOKA QLD 4105 PO BOX 206 ACACIA RIDGE QLD 4110 Ph (07) 3875 1568 Fx (07) 3277 4316 Email admin@winch.com.au				CHECKED		45,000 LB LOW MOUNT WINCH W45 LOW MOUNT HYDRAULIC WINCH SHEET 2 OF 2			
				<small>COPYRIGHT RESERVED. The design detailed on this drawing is the property of Archerfield Precision Engineering and must be returned on demand. It is issued on the strict condition that excepted with our written permission it must not be copied or communicated to any third party, nor is it to be used for any purpose other than for which it was issued.</small>				DESIGNED					
								TECH APP					
								A.P.E. APP					
								PRINTED	3/09/2018	SCALE	WEIGHT	DWG No	- REV
DWG No	REFERENCES	REV	DATE	DESCRIPTION	DRAWN	CHECK	APPD		1:5	367.2 Kg		W45-0003-0	
1	2	3	03/09/18	FOR CONSTRUCTION	IRH								