

ITEM NO.	QTY.	DESCRIPTION	PART NUMBER	LENGTH
1	1	W30 WORMBOX HOUSING	W30-0101	
2	1	W30 WINCH SHAFT - STANDARD	W30-0550	759.5
3	2	KEY - IMPERIAL	5/8" SQ x 2 7/8"	
4	2	KEY - IMPERIAL	5/8" SQ x 2 5/8"	
5	1	KEY - IMPERIAL	1/4" SQ x 1 1/4"	
6	1	W30 WINCH DRUM DN150 - STANDARD	W30-0500	
7	1	W30 DRUM DRIVE END BUSH	W30-0701	50.8
8	1	W30 DRUM WORMBOX END BUSH	W30-0702	44.5
9	1	W30 STD CLUTCH HOUSING	W30-0251	
10	1	W30 DOG CLUTCH	W30-0610	Length
11	1	W30 DRUM SPACER RING	W30-0590	18
12	1	W30 DOG CLUTCH FORK	W30-0270	
13	1	W20 W30 DOG CLUTCH HANDLE	W20-0271	567
14	1	SPRING PIN 5/16" x 1 1/2"		
15	1	W30 WORMBOX COVER	W30-0151	
16	1	WORMBOX COVER GASKET	W30-0802	Ø304.5
17	1	W30 WORMWHEEL HUB	W30-0440	Length
18	1	W30 WORMWHEEL	W30-0420	
19	1	30,000 LB WORM - HYDRAULIC		
20	2	ANGULAR CONTACT BEARING 7310-B		
21	1	W30 CLUTCH HOUSING BUSH	W30-0703	63.500
22	2	W30 WORMBOX HOUSING BUSH	W30-0700	2.0"
23	1	OIL SEAL 70x90x10		70x90x10
24	2	W30 WORM SHAFT CAP GASKET	W30-0800	Ø165
25	1	W30 HYDRAULIC MOTOR ADAPTOR	W30-0330	44.450
26	1	DANFOSS HYDRAULIC MOTOR	OMH 315	
27	1	WORMSHAFT CAP - BLIND	W30-0200	32.544
28	2	3/8" BSPT PLUG - HEX SOCKET		3/8" BSPT
29	1	BREATHER 3/8" BSPT		
30	1	GREASE NIPPLE 1/8" BSP		
31	2	GREASE NIPPLE 1/4" UNC STRAIGHT		
32	8	HEX HEAD SET SCREW 7/16"-14 UNC x 1"		
33	10	HEX HEAD SOCKET SCREW 1/2-13 X 1-1/2"	HHSS 0.3125-18x1	
34	8	HEX HEAD BOLT 1/2"-20 UNF x 1 1/2"	HHSS 0.3125-18x0.75	
35	1	SOCKET SET SCREW 5/8"-11 UNC x 5/8"		
36	6	SOCKET HEAD CAP SCREW 1/2"-13 UNC x 1 1/2"		

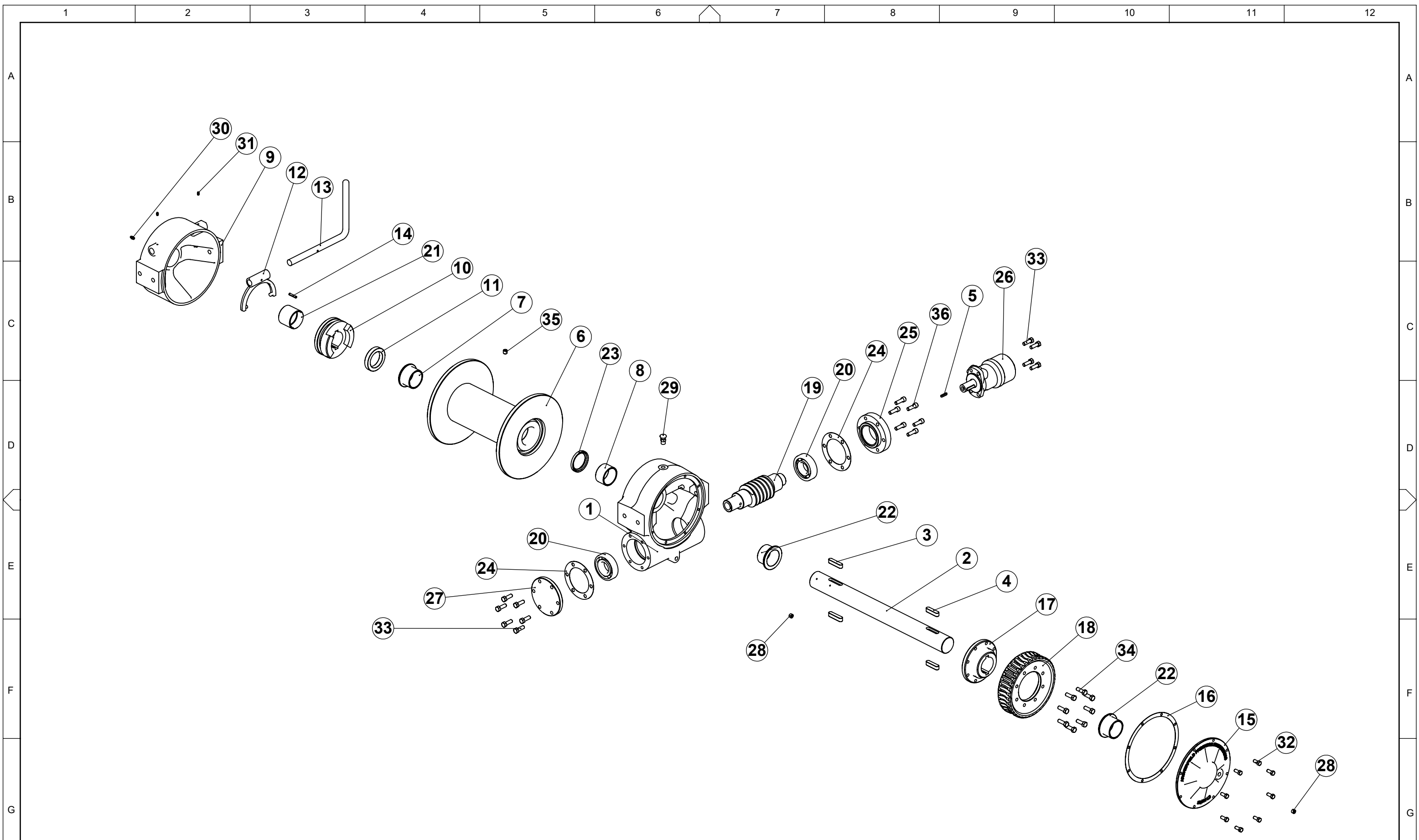
GEARS AND WINCHES

2 COIN ST MOOROOKA QLD 4105
 PO BOX 206 ACACIA RIDGE QLD 4110
 Ph (07) 3875 1568
 Fx (07) 3277 4316
 Email admin@winch.com.au

COPYRIGHT RESERVED. The design detailed on this drawing is the property of Archerfield Precision Engineering and must be returned on demand. It is issued on the strict condition that except with our written permission it must not be copied or communicated to any third party, nor is it to be used for any purpose other than for which it was issued.

DRAWN	IRH	W30 LOW MOUNT HYDRAULIC WINCH		
CHECKED		STANDARD DRUM		
MATERIAL		NO WORMBRAKE		
MATERIAL NOTES				
FINISH				
DATE PRINTED	WEIGHT	SCALE	SHEET No.	DWG No
3/09/2018	166.8 Kg	1:7.5	1 OF 2	W30-0003-0

DWG No	REFERENCES	REV	DATE	DESCRIPTION	DRAWN	CHECK	APPD
1	2	3	4	5	6	7	8
		0	03/09/18	FIRST ISSUE	IRH		



DWG No	REFERENCES	REV	DATE	DESCRIPTION	DRAWN	CHECK	APPD
1	2	3	3	4	5	6	7

GEARS AND WINCHES
 2 COIN ST MOOROOKA QLD 4105
 PO BOX 206 ACACIA RIDGE QLD 4110
 Ph (07) 3875 1566
 Fx (07) 3277 4316
 Email admin@winch.com.au

COPYRIGHT RESERVED. The design detailed on this drawing is the property of Gears and Winches P/L and must be returned on demand. It is issued on the strict condition that except with our written permission it must not be copied or communicated to any third party, nor is it to be used for any purpose other than for which it was issued.

DRAWN	IRH
CHECKED	
MATERIAL	
MATERIAL NOTES	
FINISH	
DATE PRINTED	WEIGHT
3/09/2018	166.8 Kg

W30 LOW MOUNT HYDRAULIC WINCH NO WORMBRAKE			
SCALE	SHEET No.	DWG No	- REV
1:14	2 OF 2		W30-0003-0