

A

B

C

D

E

F

G

H

A

B

C

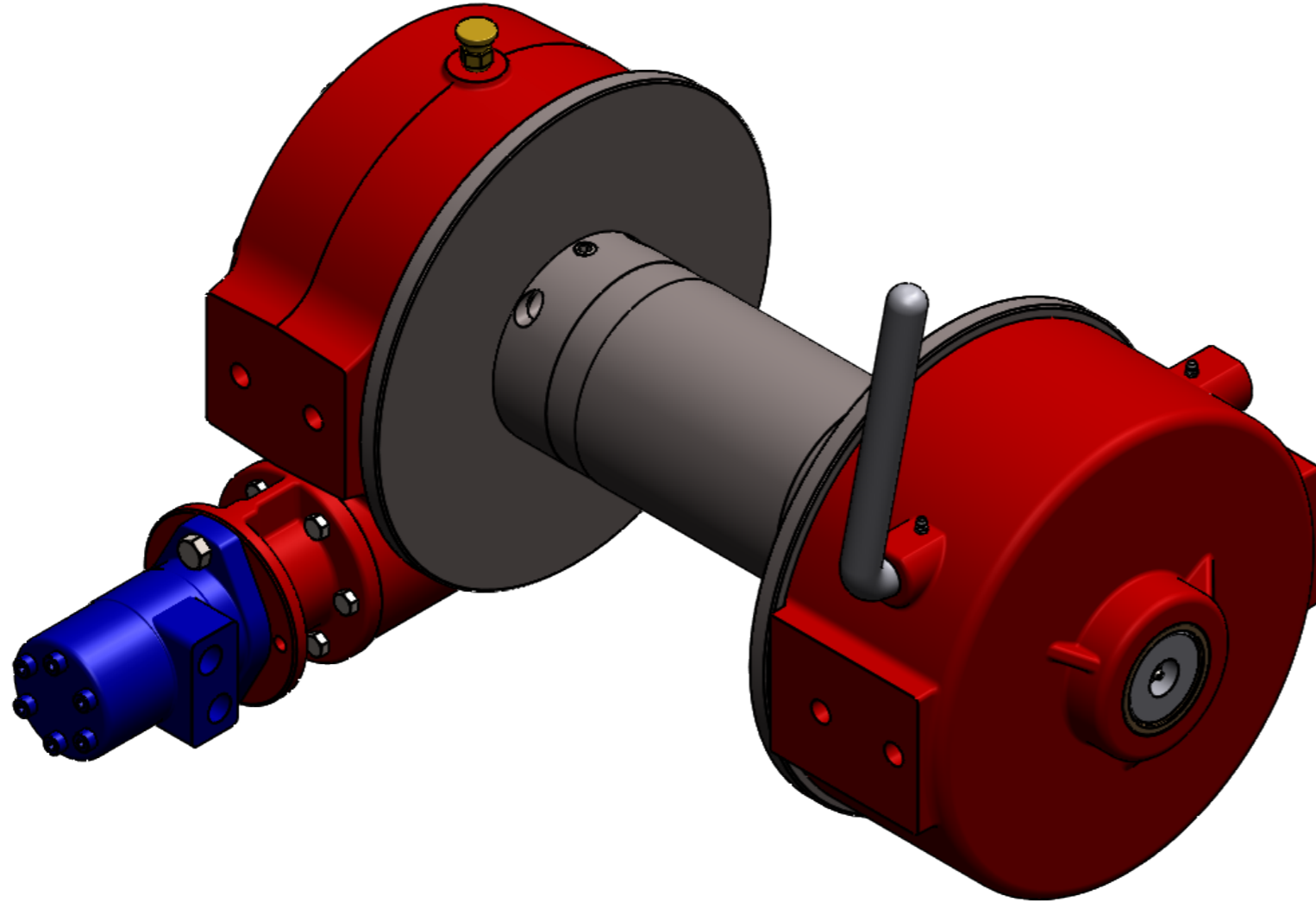
D

E

F

G

H



ITEM NO.	QTY	PART NUMBER	DESCRIPTION	LENGTH
1	1	W20-0101	W20 WORMBOX HOUSING	
2	2	W20-0700	BUSH - WORMBOX	41.3
3	1	W20-0550	W20 DRUM SHAFT - STANDARD	673.1
4	2	5/8" SQ x 2 3/16"	KEY - IMPERIAL	
5	1	W20-0440	WORMWHEEL HUB	57.2
6	1	W20-0420	W20 WORMWHEEL - 41T	57.2
7	1	W20-0802	WORMBOX COVER GASKET	Ø292.1
8	1	W20-0151	W20 WORM BOX COVER	
9	1	W20-0401	W20 WORM - HYDRAULIC	299.1
10	2		ANGULAR CONTACT BALL BEARING 7307-B 35*80*21	
11	1	5/16" SQ x 1 1/8"	KEY - IMPERIAL	
12	2	W16-0800	WORM SHAFT CAP GASKET	Ø120.7
13	1	W20-0200	W16 W20 WORMSHAFT CAP - BLIND	28.6
14	1	CR24898	OIL SEAL	2.5x3.25x0.375
17	1		SAM HYDRAULIC MOTOR BG S 200	
16	1	W20-0340	W20 HYDRAULIC COUPLING	77.8
18	2	W45-0642	W45 DRAG BRAKE PAD SPRING -INNER	0.725
19	2	W45-0641	W45 DRAG BRAKE PAD SPRING - OUTER	0.725
20	2	W20-0640	DRAG BRAKE PAD	25.4
21	1	W20-0500	DRUM ASSEMBLY	
22	1	W20-0702	DRUM BUSH - DOG CLUTCH END	41.3
23	1	W20-0701	DRUM BUSH - WORMBOX END	44.5
24	1	W20-0590	DRUM SPACER RING	12.7
25	2	5/8" SQ x 2 7/8"	KEY - IMPERIAL	
26	1	W20-0251	W20 STD DOG CLUTCH HOUSING	
27	1	W20-0703	BUSH - DOG CLUTCH HOUSING	63.5
28	1	W20-0610	DOG CLUTCH	73
29	1		3/8" BEARING BALL	
30	1	W8-0631	DOG CLUTCH DETENT SPRING	0.55
31	1		SOCKET SET SCREW 1/2"-20 UNF x 1/2"	
32	1	W20-0270	W20 W16 DOG CLUTCH YOKE	
33	1	W20-0271	W20 W30 DOG CLUTCH HANDLE	567
34	2		SPRING PIN 5/16" x 1 1/2"	
35	2		3/8" BSPT PLUG - HEX SOCKET	3/8" BSPT
36	1		BREATHER 3/8" BSPT	
37	1		GREASE NIPPLE 1/8" BSP	
38	2		GREASE NIPPLE 1/4" UNC STRAIGHT	
39	8		HEX HEAD SET SCREW 3/8"-16 UNC x 1"	
40	12	HHSS 0.3125-18x1	HEX HEAD BOLT 3/8"-16 UNC x 1 1/4"	
41	10	HHSS 0.3125-18x1	HEX HEAD SET SCREW 1/2"-13 UNC X 1 1/2"	
42	1		SOCKET SET SCREW 5/8"-11 UNC x 5/8"	

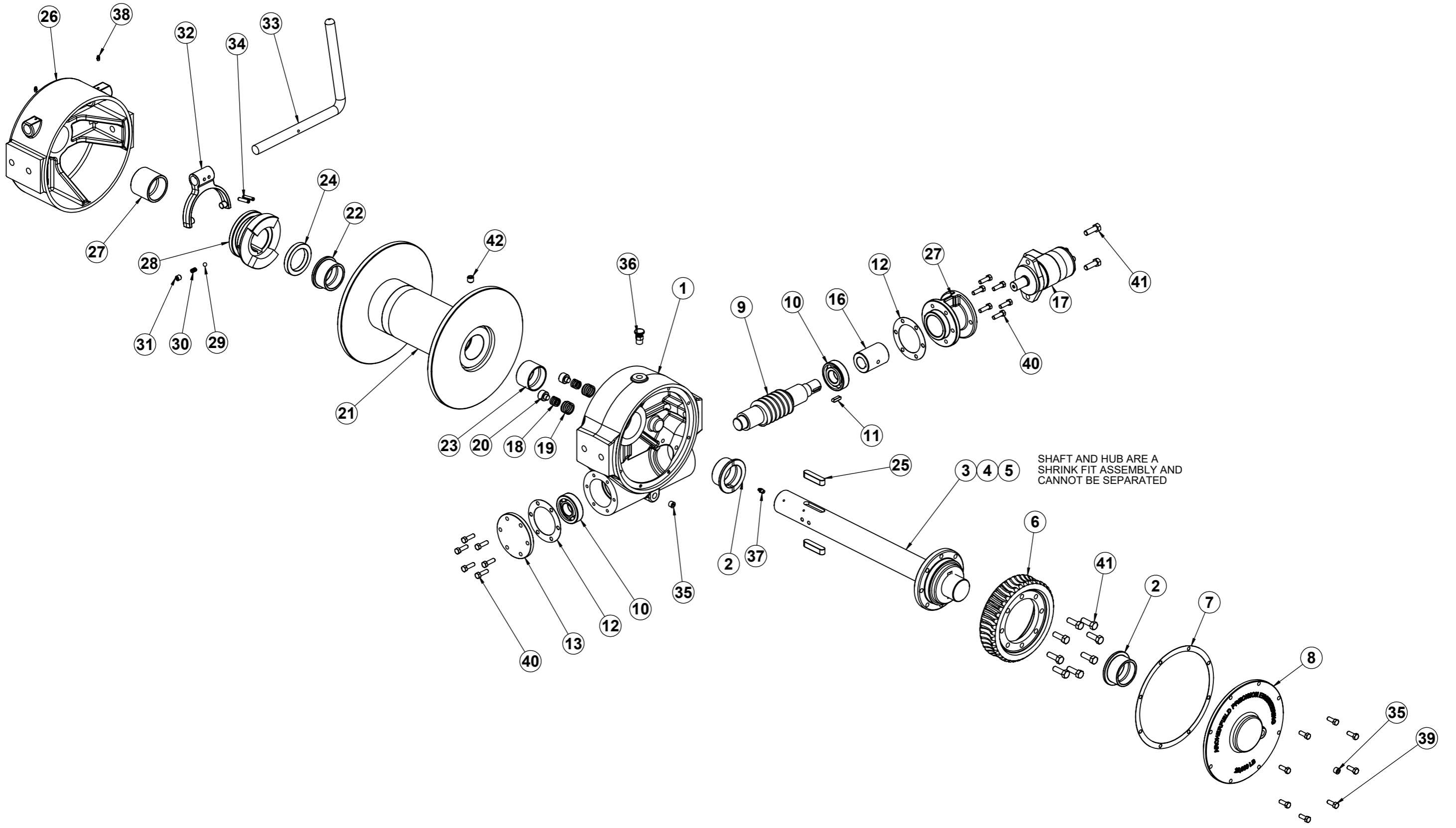
**GEARS AND WINCHES**

2 COIN ST MOOROOKA QLD 4105  
 PO BOX 206 ACACIA RIDGE QLD 4110  
 Ph (07) 3875 1568  
 Fx (07) 3277 4316  
 Email admin@winch.com.au

COPYRIGHT RESERVED. The design detailed on this drawing is the property of Gears and Winches P/L and must be returned on demand. It is issued on the strict condition that except with our written permission it must not be copied or communicated to any third party, nor is it to be used for any purpose other than for which it was issued.

DRAWN	IRH	STANDARD WINCHES	
CHECKED		W20 LOW MOUNT HYDRAULIC WINCH	
MATERIAL		STANDARD DRUM	
MATERIAL NOTES		<b>FOR MANUFACTURE</b>	
FINISH		DATE PRINTED	WEIGHT
		3/09/2018	115.6 Kg
		SCALE	SHEET No.
		1:7.5	1 OF 2
		DWG No	- REV
		W20-0003-0	

DWG No	REFERENCES	REV	DATE	DESCRIPTION	DRAWN	CHECK	APPD
1	2	3	4	5	6	7	8
		0	03/09/18	FOR MANUFACTURE	IRH		



**GEARS AND WINCHES**

2 COIN ST MOOROOKA QLD 4105  
 PO BOX 206 ACACIA RIDGE QLD 4110  
 Ph (07) 3875 1568  
 Fx (07) 3277 4316  
 Email admin@winch.com.au

COPYRIGHT RESERVED. The design detailed on this drawing is the property of Gears and Winches P/L and must be returned on demand. It is issued on the strict condition that except with our written permission it must not be copied or communicated to any third party, nor is it to be used for any purpose other than for which it was issued.

DRAWN	IRH
CHECKED	
MATERIAL	
MATERIAL NOTES	
FINISH	
DATE PRINTED	WEIGHT
3/09/2018	115.6 Kg

STANDARD WINCHES			
W20 LOW MOUNT HYDRAULIC WINCH			
STANDARD DRUM			
<b>FOR MANUFACTURE</b>			
SCALE	SHEET No.	DWG No	- REV
1:10	2 OF 2	W20-0003-0	

DWG No	REFERENCES	REV	DATE	DESCRIPTION	DRAWN	CHECK	APPD
1	2	0	03/09/18	FOR MANUFACTURE	IRH		