

1 2 3 4 5 6 7 8 9 10 11 12

A

B

C

D

E

F

G

H

A

B

C

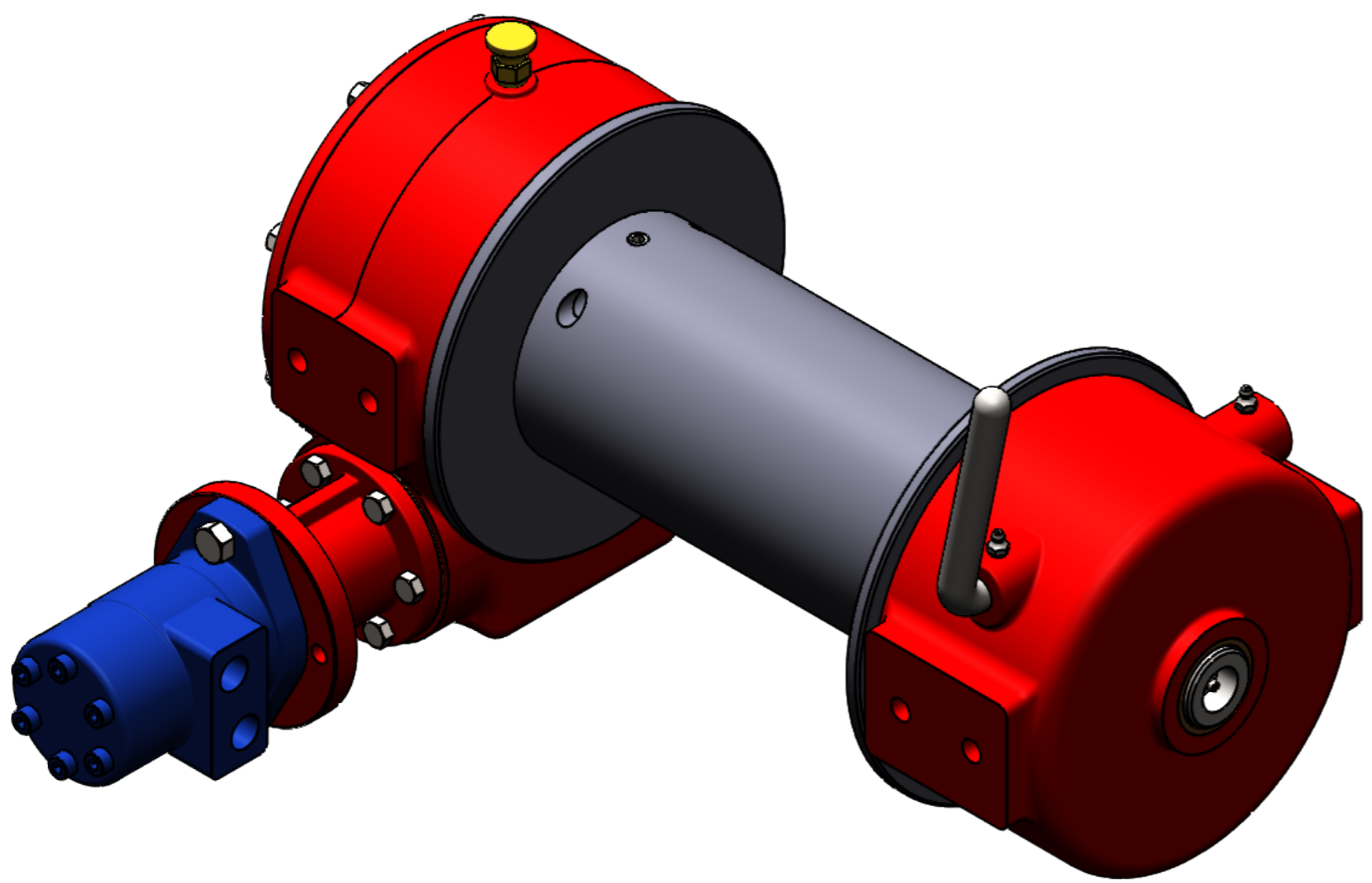
D

E

F

G

H



| ITEM NO. | QTY. | DESCRIPTION | PART NUMBER | LENGTH |
|----------|------|--|------------------|------------------|
| 1 | 1 | WORMBOX HOUSING | W12-0101 | |
| 2 | 1 | DRUM SHAFT - STANDARD DRUM | W12-0550 | 568.3 |
| 3 | 1 | WORMWHEEL HUB | W12-0440 | 44.5 |
| 4 | 2 | KEY - IMPERIAL | 1/2" SQ x 1.685" | |
| 5 | 1 | KEY - IMPERIAL | 1/4" SQ x 1 1/2" | |
| 6 | 2 | KEY - IMPERIAL | 1/2" SQ x 2 3/4" | |
| 7 | 1 | WORMBOX COVER | W12-0151 | |
| 8 | 1 | WORMBOX COVER GASKET | W12-0802 | Ø236.5 |
| 9 | 1 | WORMWHEEL | W12-0420 | |
| 10 | 1 | WORM - HYDRAULIC | W12-0400 | 228.6 |
| 11 | 2 | ANGULAR CONTACT BALL BEARING 7306-B 30*72*19 | | |
| 12 | 1 | CLUTCH HOUSING BUSH | W12-0703 | 44.5 |
| 13 | 2 | WORMBOX BUSH | W12-0700 | 38.1 |
| 14 | 1 | DRUM BUSH - CLUTCH END | W12-0702 | 38.1 |
| 15 | 1 | DRUM WORMBOX END BUSH | W12-0701 | 42.9 |
| 16 | 1 | OIL SEAL | CR17557 | 1.75x2.75x0.3125 |
| 17 | 1 | HYDRAULIC COUPLING | W12-0340 | 82.6 |
| 18 | 1 | HYDRAULIC MOTOR ADAPTOR | W12-0330 | |
| 19 | 1 | SAM HYDRAULIC MOTOR BG S 100 | | |
| 20 | 1 | 3/8" BEARING BALL | | |
| 21 | 2 | WORM SHAFT CAP GASKET | W12-0800 | Ø108 |
| 22 | 1 | WORMSHAFT CAP - BLIND | W12- | |
| 23 | 2 | DRAG BRAKE PAD | W8-0640 | 12 |
| 24 | 2 | DRAG BRAKE SPRING | W8-0641 | |
| 25 | 1 | W12 WINCH DRUM | W12-0502 | |
| 26 | 1 | DRUM SHAFT SPACER | W12-0590 | 9.5 |
| 27 | 1 | DOG CLUTCH | W12-0610 | 65.1 |
| 28 | 1 | DOG CLUTCH DETENT SPRING | W12-0631 | 0.23 |
| 29 | 1 | SOCKET SET SCREW 1/2"-20 UNF x 1/2" | | |
| 30 | 1 | SOCKET SET SCREW 1/2"-13 UNC x 1/2" | | |
| 31 | 1 | DOG CLUTCH HOUSING | W12-0251 | |
| 32 | 1 | DOG CLUTCH FORK | W12-0270 | |
| 33 | 1 | DOG CLUTCH HANDLE | W12-0271 | |
| 34 | 1 | SPRING PIN 5/16" x 1 1/4" | | |
| 35 | 2 | 3/8" BSPT PLUG - HEX SOCKET | | 3/8" BSPT |
| 36 | 1 | BREATHER 3/8" BSPT | | |
| 37 | 3 | GREASE NIPPLE 1/8" BSP | | |
| 38 | 8 | HEX HEAD SET SCREW 3/8"-16 UNC x 1" | | |
| 39 | 12 | HEX HEAD SET SCREW 3/8"-16 UNC x 1 1/4" | | |
| 40 | 8 | HEX HEAD SET SCREW 1/2"-13 UNC x 1 1/4" | | |

GEARS AND WINCHES

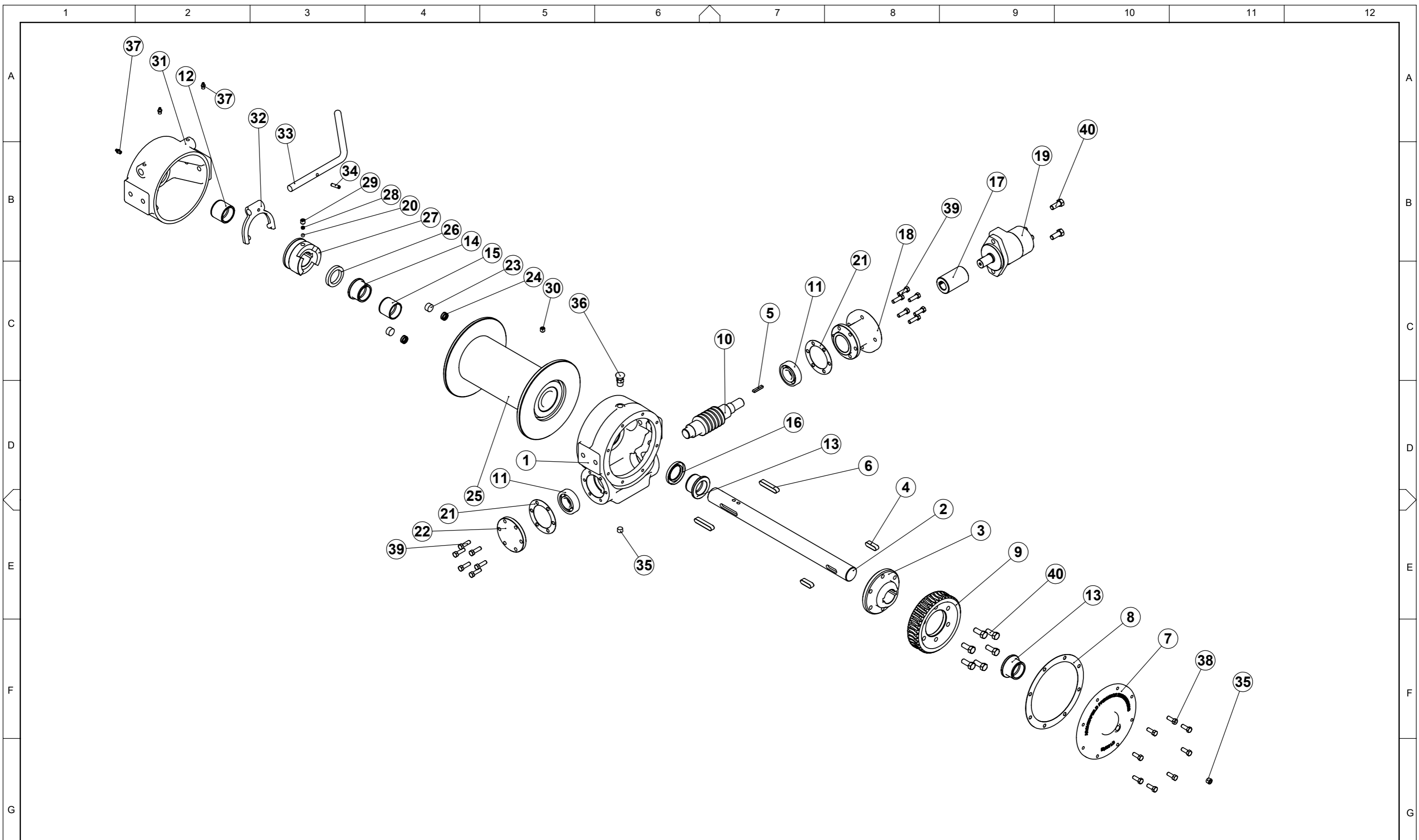
2 COIN ST MOOROOKA QLD 4105
 PO BOX 206 ACACIA RIDGE QLD 4110
 Ph (07) 3875 1568
 Fx (07) 3277 4316
 Email admin@winch.com.au

COPYRIGHT RESERVED. The design detailed on this drawing is the property of Gears and Winches P/L and must be returned on demand. It is issued on the strict condition that except with our written permission it must not be copied or communicated to any third party, nor is it to be used for any purpose other than for which it was issued.

| | | | | | |
|----------------|---------|--------------------------------|-----------|------------|-------|
| DRAWN | IRH | W12 STANDARD WINCH | | | |
| CHECKED | | RIGHT HAND HYDRAULIC LOW MOUNT | | | |
| MATERIAL | | | | | |
| MATERIAL NOTES | | | | | |
| FINISH | | FOR MANUFACTURE | | | |
| DATE PRINTED | WEIGHT | SCALE | SHEET No. | DWG No | - REV |
| 3/09/2018 | 61.9 Kg | 1:5 | 1 OF 2 | W12-0003-0 | |

| DWG No | REFERENCES | REV | DATE | DESCRIPTION | DRAWN | CHECK | APPD |
|--------|------------|-----|----------|-------------|-------|-------|------|
| 1 | 2 | 3 | 4 | 5 | 6 | 7 | 8 |
| | | 0 | 03/09/18 | FIRST ISSUE | IRH | | |

1 2 3 4 5 6 7 8 9 10 11 12 A3



| DWG No | REFERENCES | REV | DATE | DESCRIPTION | DRAWN | CHECK | APPD |
|--------|------------|-----|------|-------------|-------|-------|------|
| 1 | 2 | 3 | | | | | |

| | | | | | | | | | |
|--|--|---------|----------------|-------|--|-----------|--|------------|--|
| GEARS AND WINCHES | | | DRAWN IRH | | W12 STANDARD WINCH RIGHT HAND HYDRAULIC LOW MOUNT | | | | |
| 2 COIN ST MOOROOKA QLD 4105 PO BOX 206 ACACIA RIDGE QLD 4110 Ph (07) 3875 1568 Fx (07) 3277 4316 Email admin@winch.com.au | | | CHECKED | | | | | | |
| COPYRIGHT RESERVED. The design detailed on this drawing is the property of Gears and Winches P/L and must be returned on demand. It is issued on the strict condition that except with our written permission it must not be copied or communicated to any third party, nor is it to be used for any purpose other than for which it was issued. | | | MATERIAL | | FOR MANUFACTURE | | | | |
| | | | MATERIAL NOTES | | | | | | |
| | | | FINISH | | | | | | |
| DATE PRINTED | | WEIGHT | | SCALE | | SHEET No. | | DWG No | |
| 3/09/2018 | | 61.9 Kg | | 1:5 | | 2 OF 2 | | W12-0003-0 | |