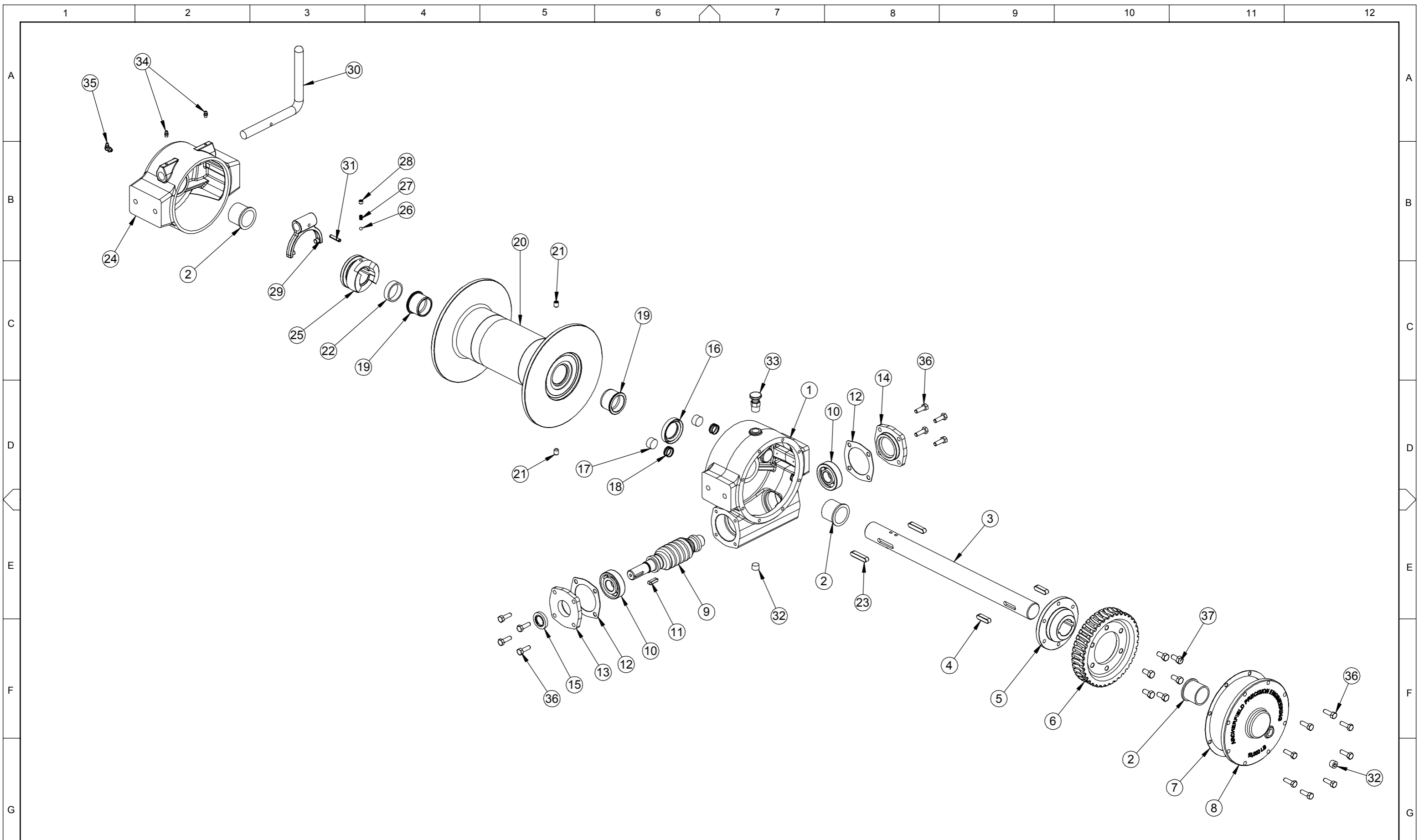


ITEM NO.	QTY	Part Number	Description	LENGTH
1	1	W10-0101	WORMBOX HOUSING	
2	3	W10-0700	BUSH - WORMBOX	38.1
3	1	W10-0520	DRUM SHAFT - MECHANICAL	501.7
4	2		KEY - IMPERIAL	3/8" SQ x 1.417"
5	1		WORMWHEEL HUB	36.1
6	1	W10-0420	WORMWHEEL - 38T	
7	1	W10-0802	WORMBOX COVER GASKET	Ø200
8	1	W10-0151	WORMBOX COVER	
9	1	W10-400	WORM - MECHANICAL AND HYDRAULIC	
10	2		ANGULAR CONTACT BALL BEARING 7305-B 25*62*17	
11	1		KEY - IMPERIAL	1/4" SQ x 1 1/32"
12	2	W10-0800	WORMSHAFT GASKET	Ø101.6
13	1	W8-0201	WORMSHAFT CAP - SEAL	
14	1	T8-0200	WORMSHAFT CAP - BLIND	
15	1	CR8704	OIL SEAL	0.875x1.5x0.25
16	1	CR12638	OIL SEAL	1.5x2.25x0.375
17	2	W8-0640	DRAG BRAKE PAD	12
18	2	W8-0641	DRAG BRAKE SPRING	
19	2		DRUM DRIVE END BUSH T15	Length
20	1	W10-0500	WINCH DRUM WELDMENT - STD	287.8
21	2		SOCKET SET SCREW 3/8"-16 UNC x 1/2"	
22	1	W10-0590	DRUM SHAFT SPACER	11.9
23	2		KEY - IMPERIAL	3/8" SQ x 1 7/8"
24	1	W10-0251	DOG CLUTCH HOUSING	
25	1		DOG CLUTCH	45.0
26	1		1/4" BEARING BALL	
27	1	W8-0631	DOG CLUTCH DETENT SPRING	0.33
28	1		SOCKET SET SCREW 5/16"-18 UNC x 5/16"	
29	1	W8-0270	DOG CLUTCH FORK	
30	1	W8-0271	DOG CLUTCH HANDLE	315
31	1		SPRING PIN 1/4" x 1 1/8"	
32	2		PLUG - HEX SOCKET	3/8" BSPT
33	1		BREATHER	3/8" BSPT
34	2		GREASE NIPPLE 1/4" UNC STRAIGHT	
35	1		GREASE NIPPLE 1/4" UNC 90 Degree	
36	16		HEX HEAD SET SCREW 5/16"-18 UNC x 1"	
37	6		HEX HEAD SET SCREW 3/8"-16 UNC x 3/4"	

						ARCHERFIELD PRECISION ENGINEERING 2 COIN ST MOOROOKA QLD 4105 PHONE 07 3875 1568 FAX 07 3277 4316			DRAWN	RCT	07-08-09	10,000 LB WINCH		PROJECT No
									CHECKED			MECHANICAL LEFT HAND STANDARD DRUM		
									DESIGNED			WITHOUT WORMBRAKE		SHEET 1 OF 2
									TECH APP					
									A.P.E. APP			SCALE	WEIGHT	DWG No
												1:5	35.7 Kg	- SHT - REV
												W10-0041-1-A		
DWG No	REFERENCES	REV	DATE	DESCRIPTION	DRAWN	CHECK	APPD							
1	2	3	4/08/2009	PRELIMINARY										



				ARCHERFIELD PRECISION ENGINEERING 2 COIN ST MOOROOKA QLD 4105 PHONE 07 3875 1568 FAX 07 3277 4316			DRAWN	RCT	07-08-09	10,000 LB WINCH		PROJECT No	
							CHECKED			MECHANICAL LEFT HAND STANDARD DRUM			
							DESIGNED			WITHOUT WORMBRAKE		SHEET 2 OF 2	
							TECH APP						
							A.P.E. APP						
DWG No		REFERENCES		REV	DATE	DESCRIPTION	DRAWN	CHECK	APPD	SCALE	WEIGHT	DWG No	- SHT - REV
1		2				See Sheet1				1:7.5	35.7 Kg	W10-0041-2-A	

COPYRIGHT RESERVED. The design detailed on this drawing is the property of Archerfield Precision Engineering and must be returned on demand. It is issued on the strict condition that excepted with our written permission it must not be copied or communicated to any third party, nor is it to be used for any purpose other than for which it was issued.