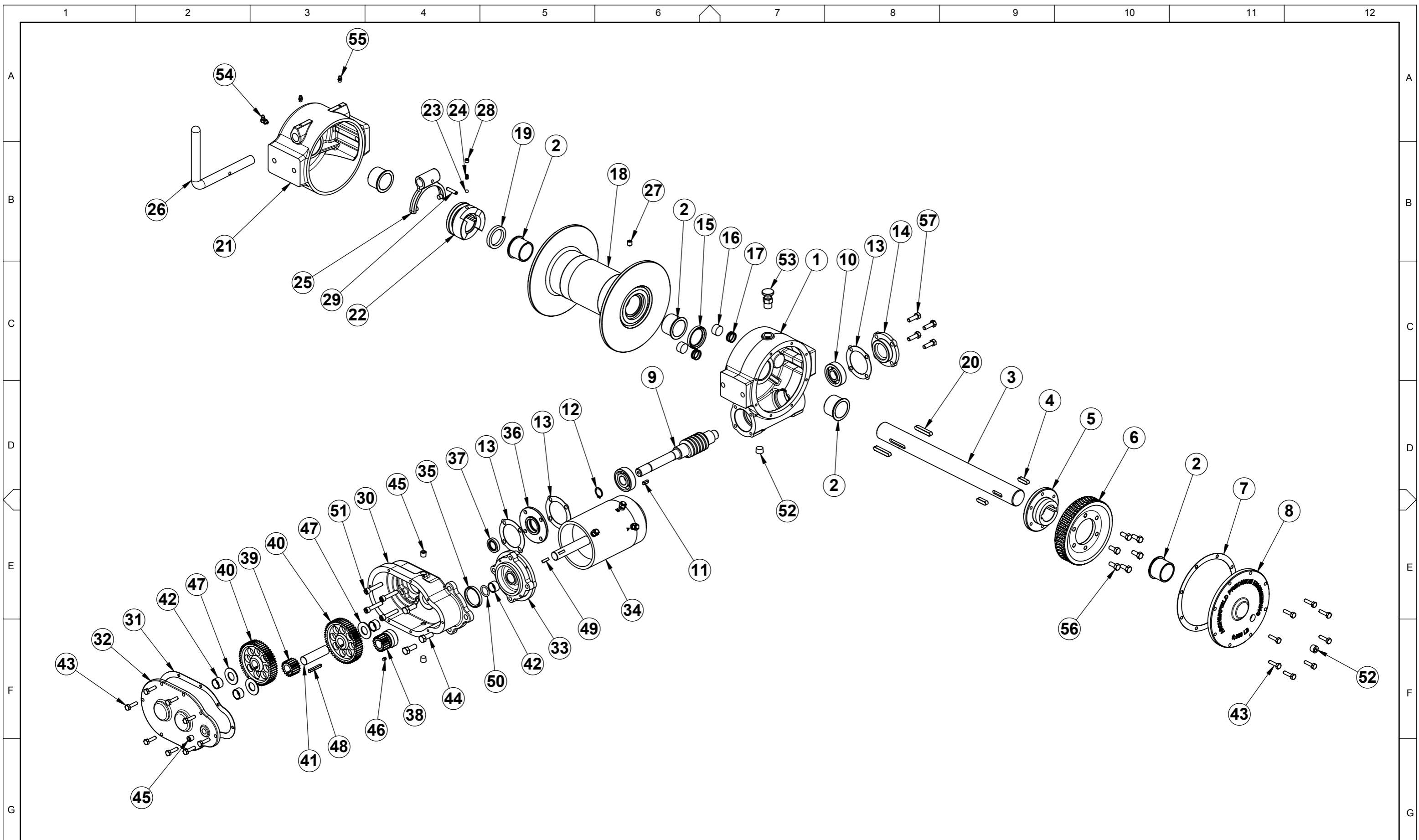


ITEM NO.	QTY.	DESCRIPTION	PART NUMBER	Length	ITEM NO.	QTY.	DESCRIPTION	PART NUMBER	Length
45	3	PLUG - HEX SOCKET		1/4" BSPT	1	1	WORMBOX HOUSING	W9-0101	
46	1	SOCKET SET SCREW 1/4"-28 UNF x 5/16"			2	5	BUSH - WORMBOX HOUSING	W9-0700	31.8
47	3	THRUST WASHER	W8-0916	1.9	3	1	1 1/2" DRUM SHAFT - 9" DRUM	W8-0554	419.1
48	1	KEY - IMPERIAL		3/16" SQ x 1 1/2"	4	2	KEY - IMPERIAL		5/16" SQ x 1.115"
49	1	WOODRUFF KEY R B17.2-606		3/16" x 3/4"	5	1	WORMWHEEL HUB	W9-0440	28.6
50	1	O-RING			6	1	WORMWHEEL	W8-0420	30.2
51	4	SOCKET HEAD CAP SCREW 5/16"-18 UNC x 1 5/8"			7	1	WORMBOX COVER GASKET	W8-0802	0.8
52	2	PLUG - HEX SOCKET		3/8" BSPT	8	1	WORMBOX COVER	W8-0151	
53	1	BREATHER 3/8" BSPT			9	1	WORM - ELECTRIC	W8-0404	238.2
54	1	GREASE NIPPLE 1/4" UNC 90 Degree			10	2	ANGULAR CONTACT BALL BEARING 7304-B 20*52*15		
55	2	GREASE NIPPLE 1/4" UNC STRAIGHT			11	1	KEY - IMPERIAL		3/16" SQ x 5/8"
56	6	HEX HEAD SET SCREW 5/16"-18 UNC x 3/4"	HHSS 0.3125-18x0.75		12	1	Circlip DIN 471 - 19 x 1.2		
57	4	HEX HEAD SET SCREW 5/16"-18 UNC x 1"	HHSS 0.3125-18x1		13	3	WORMSHAFT CAP GASKET	W8-0800	Ø83.3

14	1	WORMSHAFT CAP - BLIND	W8-0200		15	1	OIL SEAL	CR14857	1.5x2x0.25
16	2	DRAG BRAKE PAD	W8-0640	12	16	2	DRAG BRAKE SPRING	W8-0641	12
17	2	DRAG BRAKE SPRING	W8-0641		17	2	DRAG BRAKE SPRING	W8-0641	
18	1	WINCH DRUM - DN90 x 9"	W8-0504	228.6	18	1	WINCH DRUM - DN90 x 9"	W8-0504	228.6
19	1	DRUM SHAFT SPACER	W9-0590	7.1	19	1	DRUM SHAFT SPACER	W9-0590	7.1
20	2	KEY - IMPERIAL		5/16" SQ x 1 7/8"	20	2	KEY - IMPERIAL		5/16" SQ x 1 7/8"
21	1	DOG CLUTCH HOUSING	W9-0251		21	1	DOG CLUTCH HOUSING	W9-0251	
22	1	DOG CLUTCH - 1 1/2" SHAFT	W9-0610	45.0	22	1	DOG CLUTCH - 1 1/2" SHAFT	W9-0610	45.0
23	1	1/4" BEARING BALL			23	1	1/4" BEARING BALL		
24	1	DOG CLUTCH DETENT SPRING	W8-0631	0.33	24	1	DOG CLUTCH DETENT SPRING	W8-0631	0.33
25	1	DOG CLUTCH FORK	W8-0270		25	1	DOG CLUTCH FORK	W8-0270	
26	1	DOG CLUTCH HANDLE	W8-0271	315	26	1	DOG CLUTCH HANDLE	W8-0271	315
27	1	SOCKET SET SCREW 3/8"-24 UNF x 7/16"			27	1	SOCKET SET SCREW 3/8"-24 UNF x 7/16"		
28	1	SOCKET SET SCREW 5/16"-18 UNC x 5/16"			28	1	SOCKET SET SCREW 5/16"-18 UNC x 5/16"		
29	1	SPRING PIN 1/4" x 1 1/8"			29	1	SPRING PIN 1/4" x 1 1/8"		
30	1	REDUCTION GEAR CASE HOUSING	W8-0901		30	1	REDUCTION GEAR CASE HOUSING	W8-0901	
31	1	MOTOR ADAPTOR GASKET	W8-0903		31	1	MOTOR ADAPTOR GASKET	W8-0903	
32	1	HOUSING COVER	W8-0902		32	1	HOUSING COVER	W8-0902	
33	1	ELECTRIC MOTOR ADAPTOR	W8-0904	60.6	33	1	ELECTRIC MOTOR ADAPTOR	W8-0904	60.6
34	1	ELECTRIC MOTOR - 12V	W8-0930		34	1	ELECTRIC MOTOR - 12V	W8-0930	
35	1	OIL SEAL	CR14807	1.5x1.875x0.25	35	1	OIL SEAL	CR14807	1.5x1.875x0.25
36	1	SPACER	W8-0905	11.1	36	1	SPACER	W8-0905	11.1
37	1	OIL SEAL	CR7440	0.75x1.25x0.25	37	1	OIL SEAL	CR7440	0.75x1.25x0.25
38	1	MOTOR PINION	W8-0910	18.6	38	1	MOTOR PINION	W8-0910	18.6
39	1	IDLER PINION	W8-0911	22	39	1	IDLER PINION	W8-0911	22
40	2	IDLER GEAR	W8-0912	17.5	40	2	IDLER GEAR	W8-0912	17.5
41	1	IDLER SHAFT	W8-0913	69.2	41	1	IDLER SHAFT	W8-0913	69.2
42	4	BUSH	W8-0915	12.7	42	4	BUSH	W8-0915	12.7
43	16	HEX HEAD BOLT 1/4"-20 UNC x 1"			43	16	HEX HEAD BOLT 1/4"-20 UNC x 1"		
44	3	HEX HEAD SET SCREW 3/8"-24 UNF x 1"	HHSS 0.3125-18x0.75		44	3	HEX HEAD SET SCREW 3/8"-24 UNF x 1"	HHSS 0.3125-18x0.75	

				GEARS AND WINCHES			DRAWN RCT 20-08-10		12,000 LB ELECTRIC WINCH MAG12 x 9" DRUM 12 VOLT DC						
				2 COIN ST MOOROOKA QLD 4105 PO BOX 206 ACACIA RIDGE QLD 4110 Ph (07) 3875 1568 Fx (07) 3277 4316 Email admin@winch.com.au			CHECKED								
				COPYRIGHT RESERVED. The design detailed on this drawing is the property of Archerfield Precision Engineering and must be returned on demand. It is issued on the strict condition that except with our written permission it must not be copied or communicated to any third party, nor is it to be used for any purpose other than for which it was issued.			MATERIAL								
							MATERIAL NOTES								
							FINISH								
DWG No		REFERENCES		REV	DATE	DESCRIPTION	DRAWN	CHECK	APPD	DATE PRINTED	WEIGHT	SCALE	SHEET No.	DWG No	- REV
1	2	3	4	5	6	7	8	9	10	11	12	13	14	15	16
		0	26/03/11	FIRST ISSUE						26/03/2011	37.4 Kg	1:5	1 OF 2		MAG12-0010-0



DWG No	REFERENCES	REV	DATE	DESCRIPTION	DRAWN	CHECK	APPD
1	2	0	26/03/11	FIRST ISSUE	RCT		

GEARS AND WINCHES
 2 COIN ST MOOROOKA QLD 4105
 PO BOX 206 ACACIA RIDGE QLD 4110
 Ph (07) 3875 1568
 Fx (07) 3277 4316
 Email admin@winch.com.au

COPYRIGHT RESERVED. The design detailed on this drawing is the property of Archerfield Precision Engineering and must be returned on demand. It is issued on the strict condition that excepted to any third party, nor is it to be used for any purpose other than for which it was issued.

DRAWN	RCT	20-08-10	12,000 LB ELECTRIC WINCH		
CHECKED			MAG12 x 9" DRUM		
MATERIAL			12 VOLT DC		
MATERIAL NOTES					
FINISH					
DATE PRINTED	WEIGHT	SCALE	SHEET No.	DWG No	- REV
26/03/2011	37.4 Kg	1:7.5	2 OF 2	MAG12-0010-0	